

TF4 In-Tank Filter Assembly



Featuring Hy-Pro G7 Dualglass high performance DFE rated filter element technology

APPLICATIONS

- Hy-Pro Low pressure TF4 series filters are ideal for installation on the return line to remove contaminant ingested or generated by the system.
- Power units
- Mobile equipment
- Compact alternative to spin-on filters (In-tank mount)

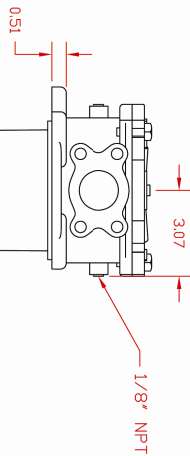
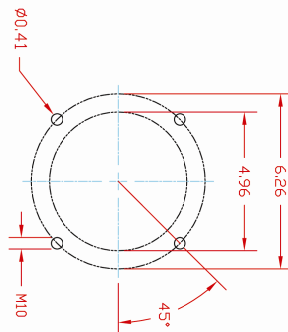
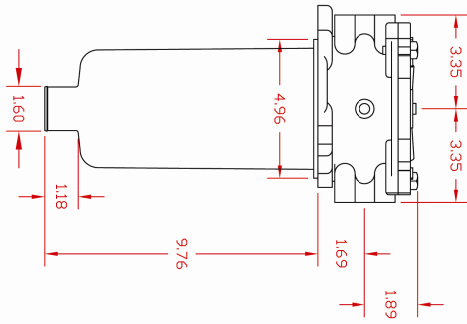
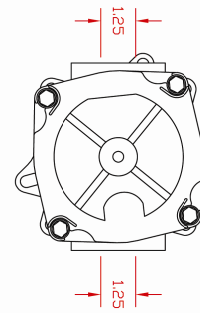
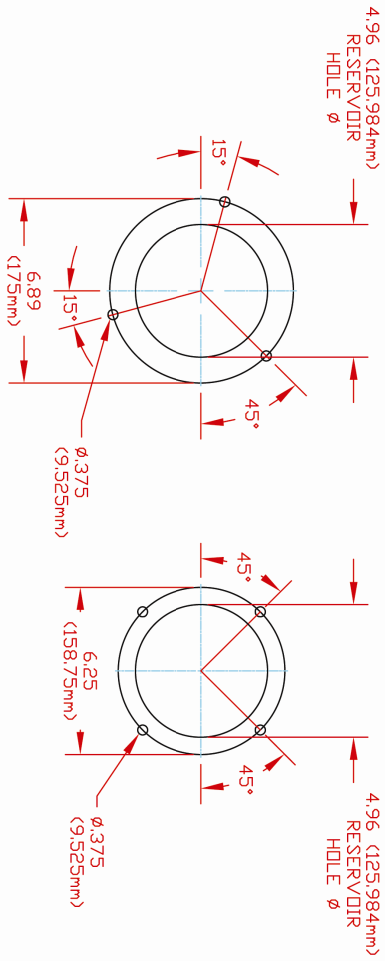
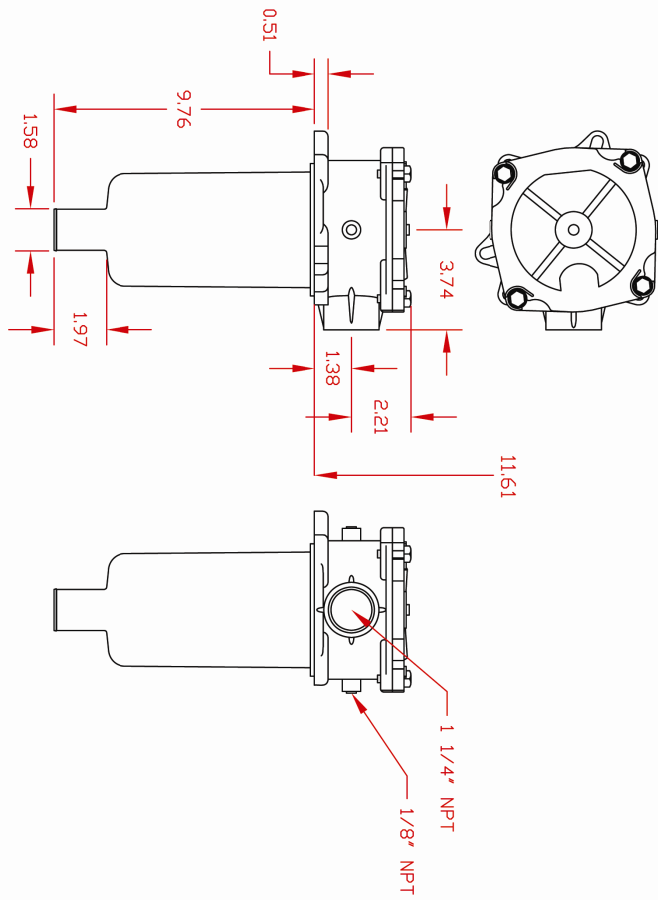
FEATURES, BENEFITS, ADVANTAGES

DFE rated elements	G7 Dualglass elements are DFE rated to assure performance even when exposed to the toughest conditions that hydraulic systems can generate (See DFE for details).
Low housing pressure drop	Unique internal flow paths provide low resistance to flow. (Low pressure drop)
Wire mesh media support	Ensures media integrity during dynamic flow. Don't sacrifice performance with plastic mesh.
Coreless element (4C element only)	Reduce disposal costs and reduce Environmental impact. Incinerates at 1100°F and weighs less.
Tank mounted	Most of the assembly is inside tank. Compact alternative to spin-ons
Single or Dual inlet ports	Available with one inlet port or two Inlet ports with 180° orientation Maximize flexibility of installation
Top loading	Minimal mess and oil loss. Clean and easy to service.
Universal mounting pattern	Accommodates North American and European mounting patterns.
Removable bowl	Dispose of all contaminated fluid and clean bowl during service.
Twist open bolt cover	Keyways on cover require only loosening cover bolts during service. No lost bolts.

PRODUCT SPECIFICATIONS

Operating Pressure	100 psi (6.85 bar) maximum
Maximum Flow rate	75 gpm, 281 lpm
Design safety factor	2.5:1
Element collapse	150 psid (10 bar)
Assembly material	Head: Cast aluminum (impregnated) Bowl: Conductive synthetic
Fluid compatibility (ISO 2948)	Compatible with petroleum based oils, specified water based, oil/water emulsion, and specified synthetic fluids with Fluorocarbon or EPR seals (call for compatibility)
Bypass setting	25 psid (1.77 bar) standard
Weight (w/element)	With element 3.4 Lbs, 1.53 kg
Temperature rating	Buna: -40°F (-40°C) to 225°F (107°C) Viton: -15°F (-26°C) to 275°F (135°C)

Viton is a registered trademark of DuPont



TF4 INSTALLATION DRAWING

TF4D INSTALLATION DRAWING